

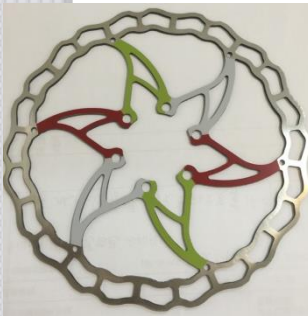
NEW PRODUCT INTRODUCTION

For 2016 TAIPEI CYCLE, Ashima would like to introduce new products to our valuable customers & Ashima riders.

The products range from rotors, brake pads to tools, accessories. All products are designed and produced with Ashima spirit.

Hope you enjoy the following pages for new product details.

CUSTOMIZED YOUR OWN COLOR



Product Features:

- Ai2 coloring with innovation
- 3 colors you can have in one rotor
- Customized color is upon request
- Super light weight
- Excellent heat dissipation
- High grade SUS410 stainless steel
- Ground and hardened to 47 HRC

Item Number:

ARO-09-160-M

Product Features:

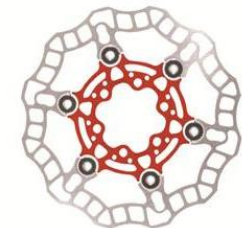
Floating Rotor simply means the outer ring of the rotor does not directly lock on the hub. The special designed rivets provide space between outer ring and inner ring of the rotor for thermal expansion as well as isolate thermal conducted to the center.

1. Excellent heat dissipation which can avoid brake failure caused by heat exhaustion.
2. Eliminate the disc brake pads wearing tolerance
3. Provides the braking system nearly 100% adaptation of the caliper

Spec:

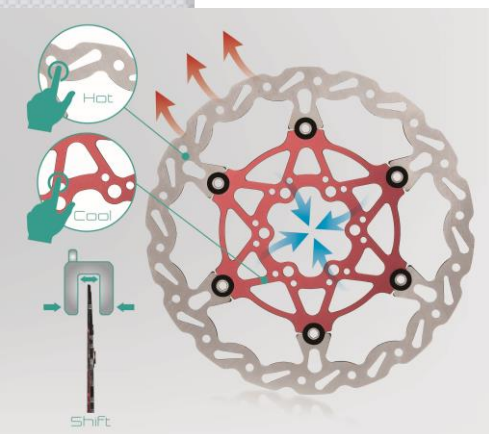
ASHIMA PART No		Weight (g)	ASHIMA PART No		Weight (g)	ASHIMA PART No		Weight (g)
Range	Size		Range	Size		Range	Size	
ARF-1-	160-XX	105	ARF-2-	160-XX	88	ARF-3-	160-XX	91
	180-XX	135		180-XX	111		180-XX	114
	203-XX	180		203-XX	145		203-XX	151

ASHIMA PART No		Weight (g)
Range	Size	
ARF-2-	140-XX	71




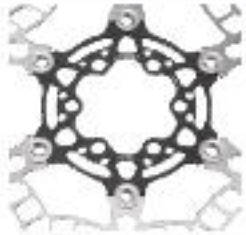




XX=Colour Code: BK=Black, BU=Blue, RD=Red, GD=Gold, WH=White

ARF-2-140-XX



Product Features:

Appearance	Weight (g)	Rivets & Floating function	
		 <p>Patented rivet structure.</p>	
Installation	Surface Treatment	Thickness of inner ring/ outer ring	Package
 <p>An indentation of the inner ring helps to install the rotor and the hub correctly.</p>	 <p>ED Coating on the edge of rotor.</p>	<p>2.8mm/ 1.8mm</p>	

FLAT MOUNT ADAPTOR

FLAT, FLATTER, FLATTEST

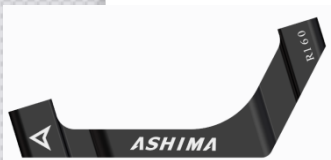
Product Features:

- Designed for new Shimano Flat Mount brake use
- Provides more space to the rear triangle

Spec:

Caliper/ Frame	Ashima No.	Front 140	Rear 140	Front 160	Rear 160
PM-FPM	AU4	1	2	3	4

Note: FPM – Flat Mount



Item Number:

AU41/ 42/ 43/ 44

Product Features:

1. Lightweight Aluminum backing
2. Cooling fins for rapid heat dissipation
3. High thermal resistance shield
4. Lightweight insert thermal shield
5. Exceptional high temperature performance
6. Minimal heat transfer to brake oil
7. Suitable for all environments

Spec:

Compatible with

SHIMANO XTR M965, M966, M975, M975P

Saint M800, DEORE XT M776, M775

DEORE LX M585, ASHIMA PCB



Item Number:

AI0104-OR-A w/spring

CERAMIC DISC BRAKE PADS

Product Features:

- Help to clean rust and other contaminants off the rotor, ideally creating a consistent and well-managed braking surface.
- Ceramic abrasives directly affect the friction created, and therefore, the brake pad's output (stopping power)
- Various models are available upon request



Item Number:

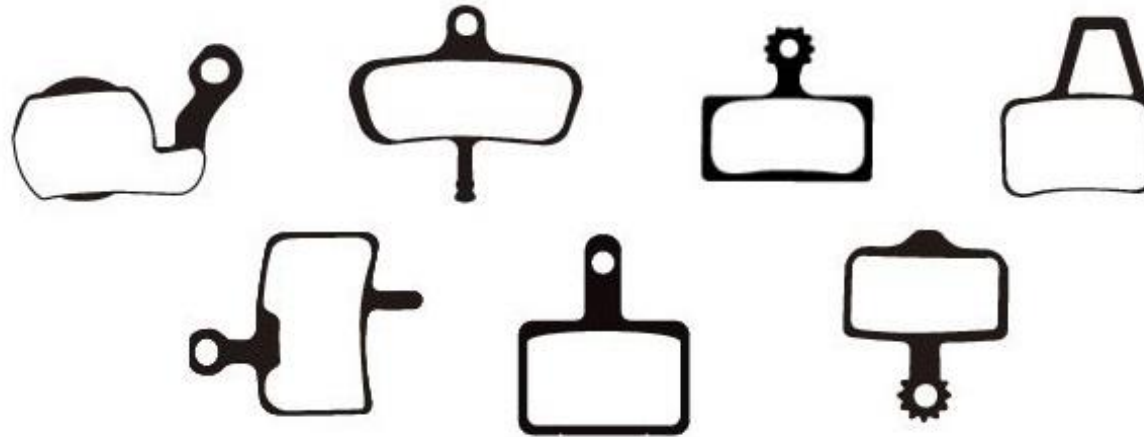
AD0102-CE-S w/spring

	Ceramic	Semi-Metal	Sintered
Dry condition	Excellent	Very good	Moderate
Wet condition	Excellent	Moderate	Excellent
Pad wear	Excellent	Very good	Excellent
Price	Moderate	Low	High

WORKSHOP BOX FOR DISC BRAKE PADS

Product Features:

- Specially designed for bike shops
- Box of 25 Pairs
- All Ashima disc brake pads are available in Workshop box package



2016 NEW PACKAGE FOR BRAKE SHOES

Features :

- In 2016, all Ashima Road Brake shoes will use the same shoe fixing bolt (using Allen key) for all Shimano compatible brake shoes to enhance the convenience for users.
- As for the package, Ashima chose new color for road bike and maintain the red for MTB for users to choose the right pads easily.

A-公路車



B-登山車



FLASH-ON-WHEELS

Product Features:

- Excellent air convection
- Lightweight cartridge
- Special cog design to make assembly easier
- Patent "Wear-Dot" indication
- Multi-Functional Elongated
- Angel adjustable designed cartridge enables to achieve the best braking result of the rims and pads



Spec:

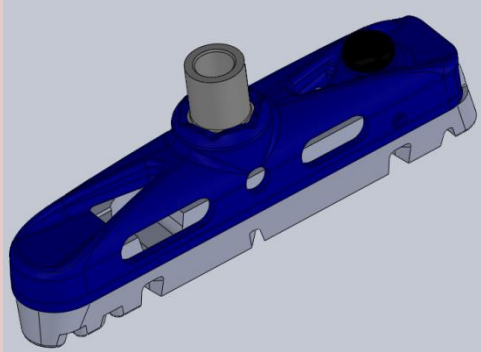
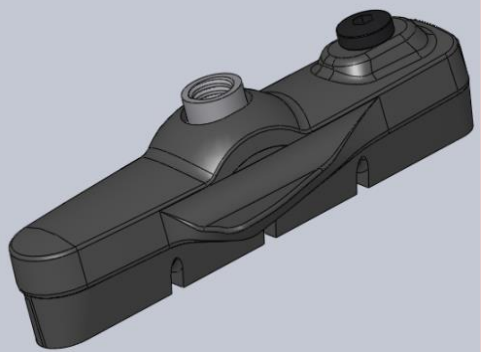
- 2 Colors for cartridge (Silver & Black Anodized)
- Compatible with Shimano Dura-Ace BR-7800
- Pad compound selection: AL (alloy), CA (carbon), PG (advanced alloy), PCAC (advanced carbon)

Item Number:

ARS73CR-P-A2-XX

XX = Pad compound selection

FLASH-ON-WHEELS

	FLASH-ON-WHEELS	General Cartridge
Appearance		
	Lightweight with great heat dissipation design to avoid burn rims.	No heat dissipation design. Heavier.
Design Feature		
	The cog design reduces the friction with the washer to avoid rotation when tightening the cartridge.	The spherical design increases the friction with the washer, which could cause the cartridge rotate still after tightening.

PADS FOR SHIMANO

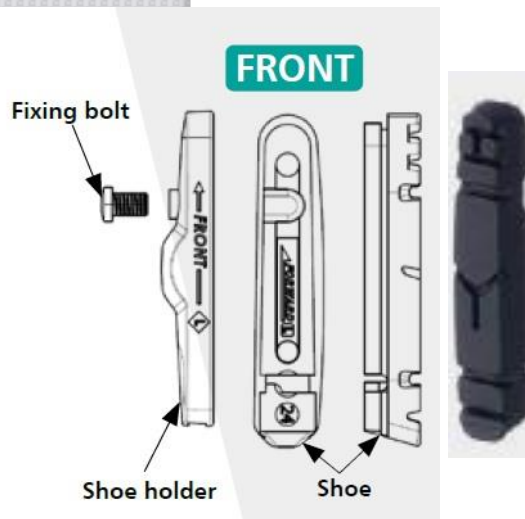
BR-9010/6810

Product Features:

- Braking surface is the same as Ashima's RPMx which provides the best braking performance
- Dual function - can be used for Shimano BR-9010/6810 as well as general Shimano system

Spec:

- Compatible with Shimano BR-9010/6810
- Pad compound selection: AL (alloy), CA (carbon), PG (advanced alloy), PCAC (advanced carbon)



Item Number:

ARS73RB-P-XX

XX = Pad compound selection

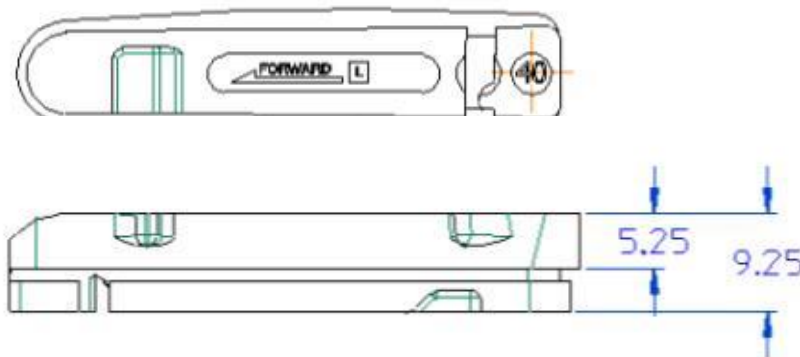
THINNER PAD IS READY FOR WIDER RIM

Product Features:

- Kind to rims.
- Rim wide 23mm (and wider) use.
- Pad fully Shimano/Campagnolo compatible

Spec :

- Compatible with Shimano/Campagnolo
- Pad compound selection: CA/ PCAC (advanced carbon)/ TRS (Superior carbon).



Item Number:
76R-P-XXX

FRAME PROTECTOR

PROTECT YOUR BELOVED FRAME

Product Features:

- Protects both the frame and outer cable from rubbing damage
- Easily snaps onto cables
- High grade Silicone, prevent protector comes off when riding

Spec:

- 3 Colors (Black, White, Orange)
- 2 Sizes (Brake & Gear)
- Package (8 pcs- Header card & 30 pcs-Bottle)



Item Number:

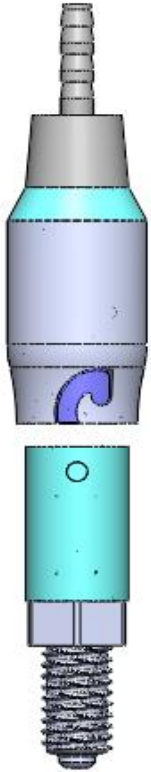
AM-UD-FB-HB-XX

AM-UB-FB-HB-XX

XX = Color Code

HYDRAULIC HOSE

QUICK RELEASE



Product Features:

- Shorten the time of installing hydraulic disc brake
- Perfect for internally routed hydraulic hoses
- Sealed interior design to avoid oil leakage when using

Spec:

- Material: SUS303
- Weight: 20g/PC
- Package: 1PC/ Header card
- Finish: Plain (Stainless Steel)
- For Shimano, Magura & Formula hydraulic brake systems only

Item Number:
RM-U1-QR-HC

MINI GEAR DOCTOR

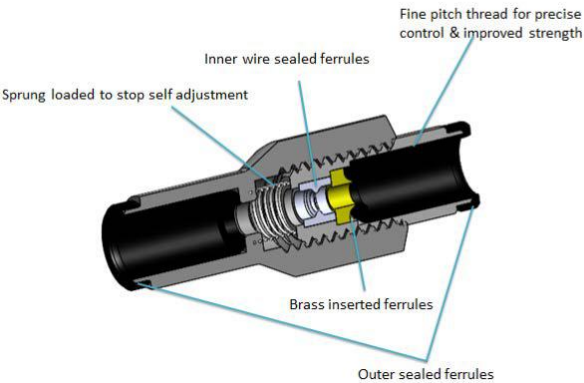
ADVANCED CABLE ADJUSTER

Product Features:

- Universal use for brake and gear cables by adjusting Ashima designed cap
- Copper ring built inside to help inner wire performing smoothly and timely
- Boot built inside to avoid dust accumulation
- User-friendly . Easy to install and adjust the cables.

Spec:

- For both brake cable (5.0mm) and gear cable (4.5mm) use. Simply remove the cap or insert the cap to fit brake cables or gear cables.
- Material: 6061-T6
- Max. OD = 10.6mm, Length: 31.2mm, Weight: 3.3g/pc
- Package: 2PCS/ Header card



Item Number:

AM-UU-MGD-HC

HYDRAULIC FITTINGS PRESS

Product Features:

- Fully CNC alloy body
- Stainless steel needle holder
- Dual functions for Banjo connector & Straight connector

Spec:

- Suitable for most braking system (Shimano, Hayes, Avid, TekTro, Magura, Formula...)

Item Number:

RT-HFP-U-1



HYDRAULIC END FITTINGS

Spec:



RT-U-HEF-WS1



RT-U1-HEF-WS2



RT-U2-HEF-WS2

ASHIMA ASSEMBLY No	Photo	Name	Description	Shimano	Magura	Avid	Hayes	Formula	TekTro
RT-SH-HEF-ST		Straight Connector Shimano	Compression Nut Bushing Insert	X	-	-	-	-	-
RT-U1-HEF-BJ		Banjo Connector	Banjo Bolt Banjo Nut 2 washer Banjo Bushing	X	-	-	-	X	-
RT-U2-HEF-BJ				-	X	X	-	-	-
RT-U3-HEF-BJ				-	-	-	X	-	X
RT-U-HEF-ST		Straight Connector Avid / Magura	Compression Nut Bushing Insert	-	X	X	-	-	-
RT-U-HEF-SC		Straight Converter	Converter Housing Washer Compression Nut Bushing	-	X	X	-	-	-
RT-HS-HEF-SC				-	-	-	X	-	-
RT-HS-HEF-ST		Straight Connector Hayes	Compression nut Bushing Insert	-	-	-	X	-	-
RT-FM-HEF-ST		Straight Connector Formula	Compression nut Bushing Insert	-	-	-	-	X	-
RT-TK-HEF-ST		Straight Connector TekTro	Compression nut Bushing Insert	-	-	-	-	-	X

ASHIMA®
Without Limit



Ashima...Knowing you're in control, means you can really let go...

Thank you your attention!!